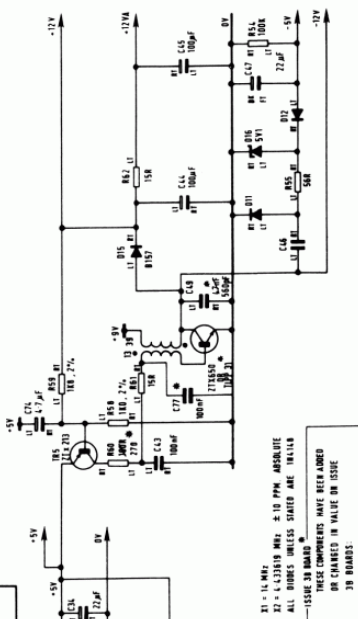


REF	DESC	COMP	SIZE
A1	AL1	AL1	1
A2	AL2	AL2	1
A3	AL3	AL3	1
A4	AL4	AL4	1
A5	AL5	AL5	1
A6	AL6	AL6	1
A7	AL7	AL7	1
A8	AL8	AL8	1
A9	AL9	AL9	1
A10	AL10	AL10	1
A11	AL11	AL11	1
A12	AL12	AL12	1
A13	AL13	AL13	1
A14	AL14	AL14	1
A15	AL15	AL15	1
A16	AL16	AL16	1
A17	AL17	AL17	1
A18	AL18	AL18	1
A19	AL19	AL19	1
A20	AL20	AL20	1
A21	AL21	AL21	1
A22	AL22	AL22	1
A23	AL23	AL23	1
A24	AL24	AL24	1
A25	AL25	AL25	1
A26	AL26	AL26	1
A27	AL27	AL27	1
A28	AL28	AL28	1
A29	AL29	AL29	1
A30	AL30	AL30	1
A31	AL31	AL31	1
A32	AL32	AL32	1
A33	AL33	AL33	1
A34	AL34	AL34	1
A35	AL35	AL35	1
A36	AL36	AL36	1
A37	AL37	AL37	1
A38	AL38	AL38	1
A39	AL39	AL39	1
A40	AL40	AL40	1
A41	AL41	AL41	1
A42	AL42	AL42	1
A43	AL43	AL43	1
A44	AL44	AL44	1
A45	AL45	AL45	1
A46	AL46	AL46	1
A47	AL47	AL47	1
A48	AL48	AL48	1
A49	AL49	AL49	1
A50	AL50	AL50	1
A51	AL51	AL51	1
A52	AL52	AL52	1
A53	AL53	AL53	1
A54	AL54	AL54	1
A55	AL55	AL55	1
A56	AL56	AL56	1
A57	AL57	AL57	1
A58	AL58	AL58	1
A59	AL59	AL59	1
A60	AL60	AL60	1
A61	AL61	AL61	1
A62	AL62	AL62	1
A63	AL63	AL63	1
A64	AL64	AL64	1
A65	AL65	AL65	1
A66	AL66	AL66	1
A67	AL67	AL67	1
A68	AL68	AL68	1
A69	AL69	AL69	1
A70	AL70	AL70	1
A71	AL71	AL71	1
A72	AL72	AL72	1
A73	AL73	AL73	1
A74	AL74	AL74	1
A75	AL75	AL75	1
A76	AL76	AL76	1
A77	AL77	AL77	1
A78	AL78	AL78	1
A79	AL79	AL79	1
A80	AL80	AL80	1
A81	AL81	AL81	1
A82	AL82	AL82	1
A83	AL83	AL83	1
A84	AL84	AL84	1
A85	AL85	AL85	1
A86	AL86	AL86	1
A87	AL87	AL87	1
A88	AL88	AL88	1
A89	AL89	AL89	1
A90	AL90	AL90	1
A91	AL91	AL91	1
A92	AL92	AL92	1
A93	AL93	AL93	1
A94	AL94	AL94	1
A95	AL95	AL95	1
A96	AL96	AL96	1
A97	AL97	AL97	1
A98	AL98	AL98	1
A99	AL99	AL99	1
A100	AL100	AL100	1



R1 = 1K OHM
 R2 = 4.7K OHM
 ALL DIMS UNLESS STATED ARE IN MILLI METERS
 THESE COMPONENTS HAVE BEEN USED IN THIS ISSUE
 DIMS IN PARENTHESES ARE IN MILLI METERS
 C10 WAS 220 OHM 5W
 C11 WAS 500 OHM 5W
 C12 ADDED
 TR1 ALTERNATIVE TYPE 31